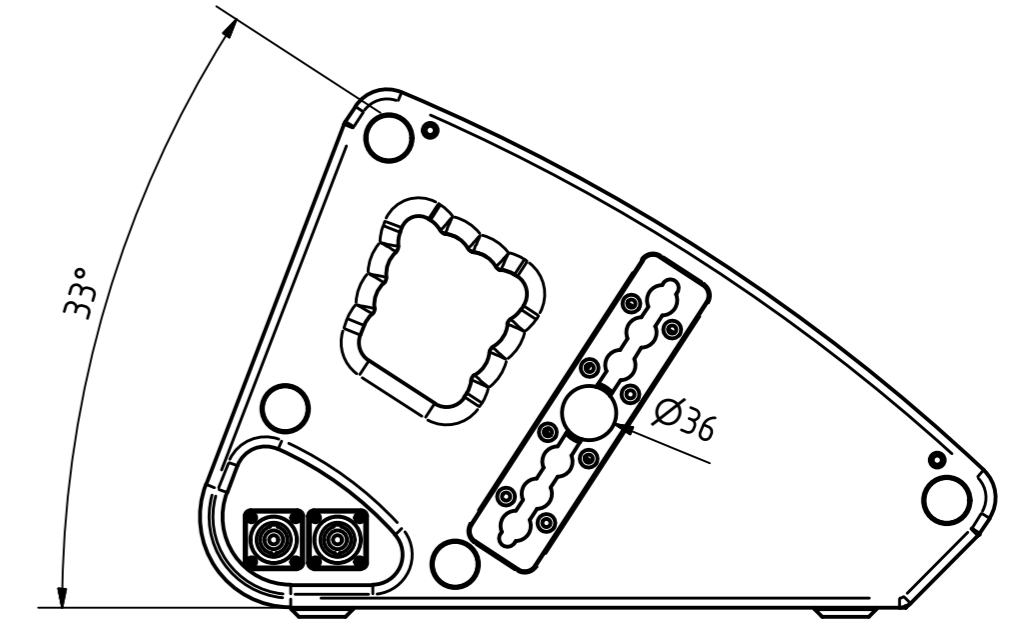


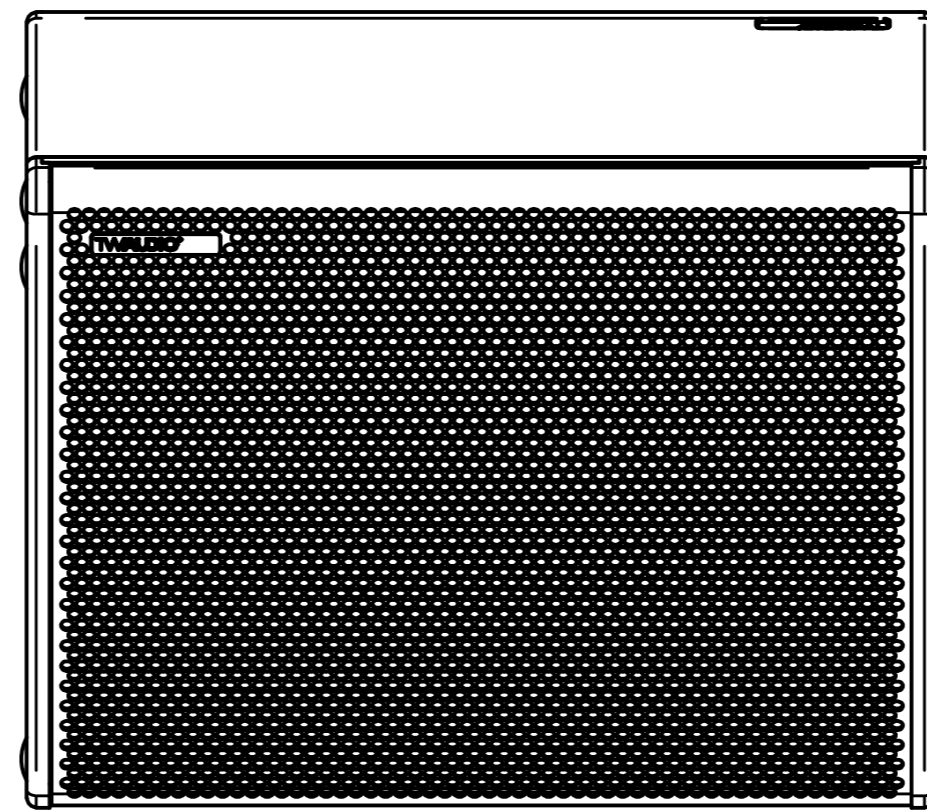
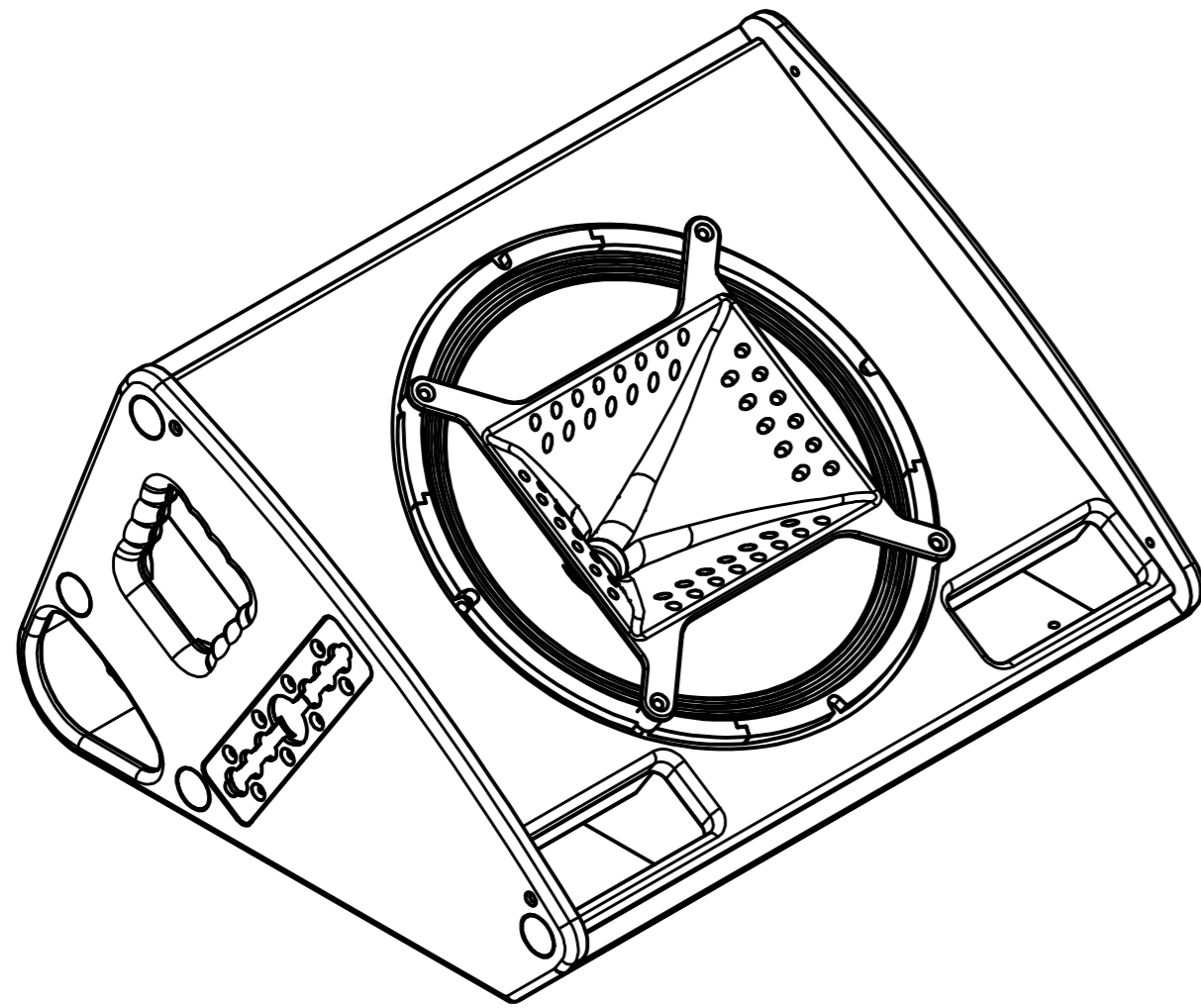
right view



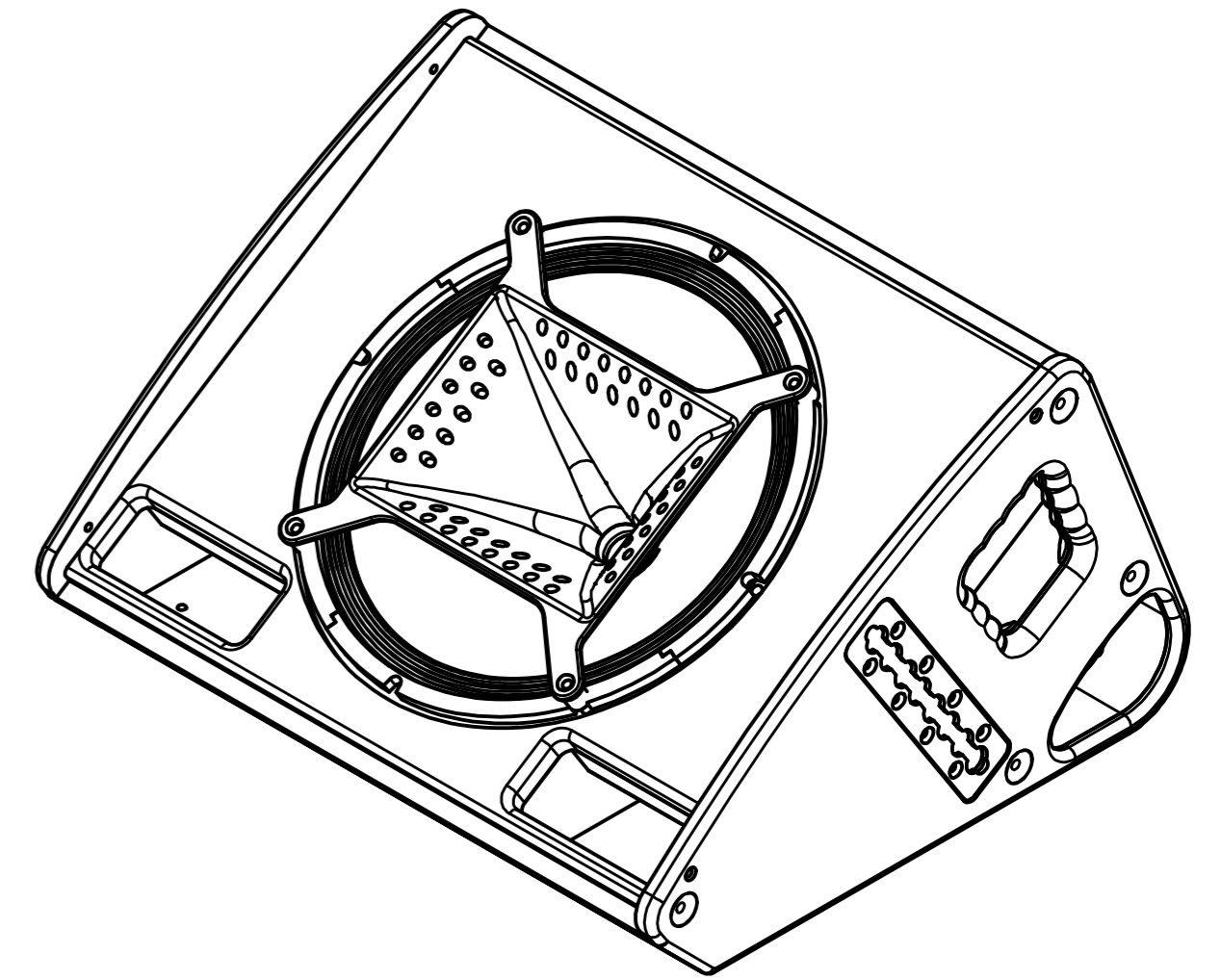
front view



left view



top view



0	rev. no.	description	date	modified by
revision process				
TWAUDIO Osterholzallee 140-2 71636 Ludwigsburg www.twaudio.de		scale: weight: 23 kg	order number: C15	
All rights to this drawing reserved in accordance with ISO 16016. Copying and distribution by manufacturer's permission only.		document type: overview drawing	type: C15	
general tolerance: ISO 2768-mK ISO 13920-BF ISO 9013-IIA/K according to ISO 8015		status type: released	drawing number: TWA-C15-0001	
edges according to ISO 13715 surfaces (Ra) array 2 array 3 according to ISO 1302		date 24.01.2010 07.11.2011	name Stefan Ullrich Stefan Ullrich	revision no.: 0
		checked: approved:	sheet: 1 1 Az	
<small>©T/CAD: TW_AUDIO\CAD-Daten\Entwicklung\T5\CM5_spl.lam</small>				